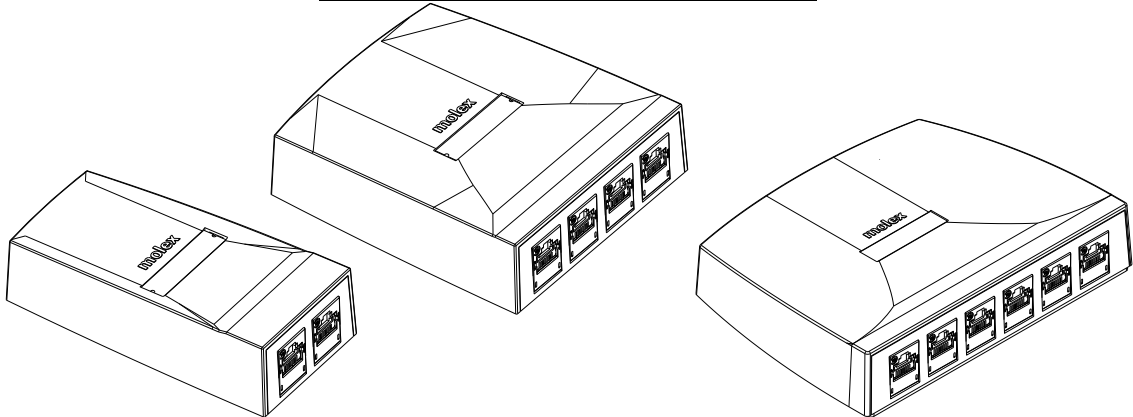


SYNERGY COPPER SURFACE BOX



1.0 SCOPE

This document provides installation instruction for Synergy Copper Surface Boxes. These products are designed for use with Datagate copper jacks and copper modules.

Note: these products are not designed for use with Datagate fiber modules.

2.0 PRODUCT DESCRIPTION

Synergy Copper Surface Boxes

SSY-00014-0X	2 PORT MODULAR SURFACE SYNERGY FOR COPPER
SSY-00015-0X	4 PORT MODULAR SURFACE SYNERGY FOR COPPER
SSY-00016-0X	6 PORT MODULAR SURFACE SYNERGY FOR COPPER

3.0 PROCEDURE

Tools required: Clippers and Screw driver

Note: Refer to Datagate jack or module termination procedure provided with jack or module.

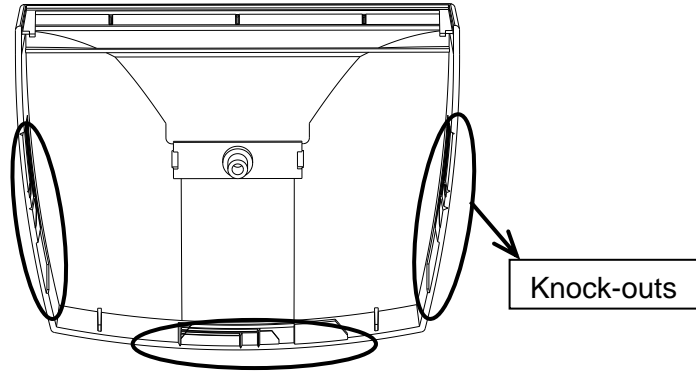
MPN NO.	SAP NO.
215-429	187000421

REVISION: A	ECR/ECN INFORMATION: EC No: MTS2013-0063 DATE: 2013 / 05 / 28	TITLE: SYNERGY COPPER SURFACE BOX INSTRUCTION	SHEET No. 1 of 3
DOCUMENT NUMBER: AS-18700-115	CREATED / REVISED BY: snagaravenka	CHECKED BY: Duran, Jim	APPROVED BY: Duran, Jim

Cable routing:

Establish the direction of cable and remove cover knock-outs with clippers.

Fig-1



To assemble the jacks to surface box:

1. Fit the jacks with latch facing up (upside down) as shown in fig. 2.
2. Ensure that the jack latches snap into top and bottom of base as shown in fig. 3.

Fig. 2

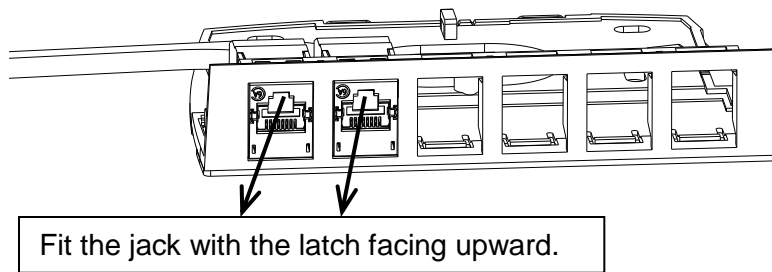
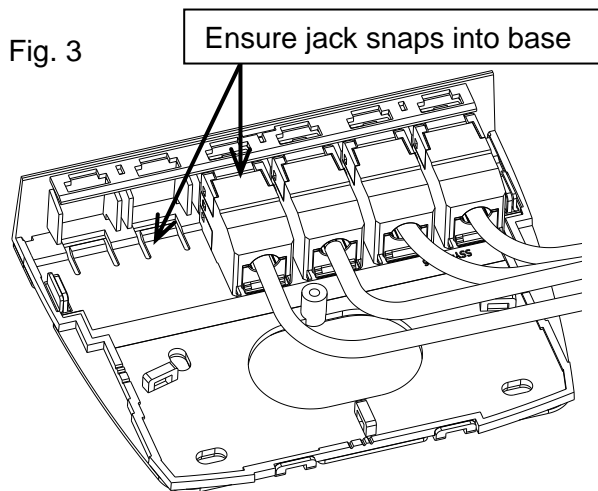


Fig. 3



MPN NO.	SAP NO.
215-429	187000421

REVISION: A	ECR/ECN INFORMATION: EC No: MTS2013-0063 DATE: 2013 / 05 / 28	TITLE: SYNERGY COPPER SURFACE BOX INSTRUCTION	SHEET No. 2 of 3
DOCUMENT NUMBER: AS-18700-115	CREATED / REVISED BY: snagaravenka	CHECKED BY: Duran, Jim	APPROVED BY: Duran, Jim

To ensure proper bend radius when routing cable through side knock outs (6 port box):

1. Bundle together the first two cables with cable tie as shown in fig. 4.
2. Bundle together next four cables as shown in fig. 4.
3. Assemble cover to base with use of screw driver and bundle together all six cables with cable tie as shown in fig. 5.

Fig. 4

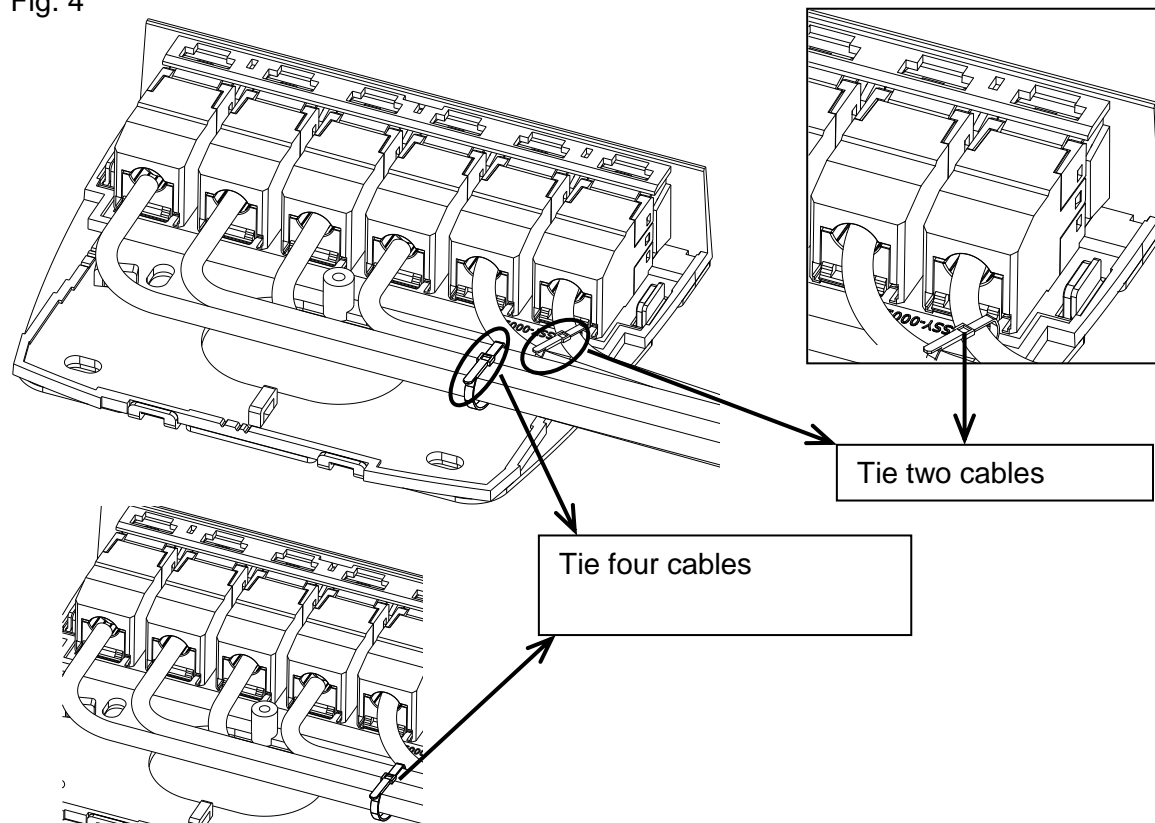
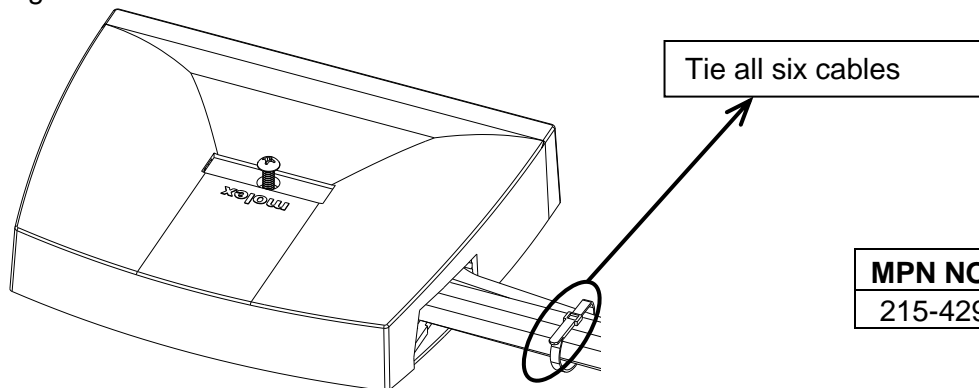


Fig. 5



MPN NO.	SAP NO.
215-429	187000421

REVISION: A	ECR/ECN INFORMATION: EC No: MTS2013-0063 DATE: 2013 / 05 / 28	TITLE: SYNERGY COPPER SURFACE BOX INSTRUCTION	SHEET No. 3 of 3
DOCUMENT NUMBER: AS-18700-115	CREATED / REVISED BY: snagaravenka	CHECKED BY: Duran, Jim	APPROVED BY: Duran, Jim